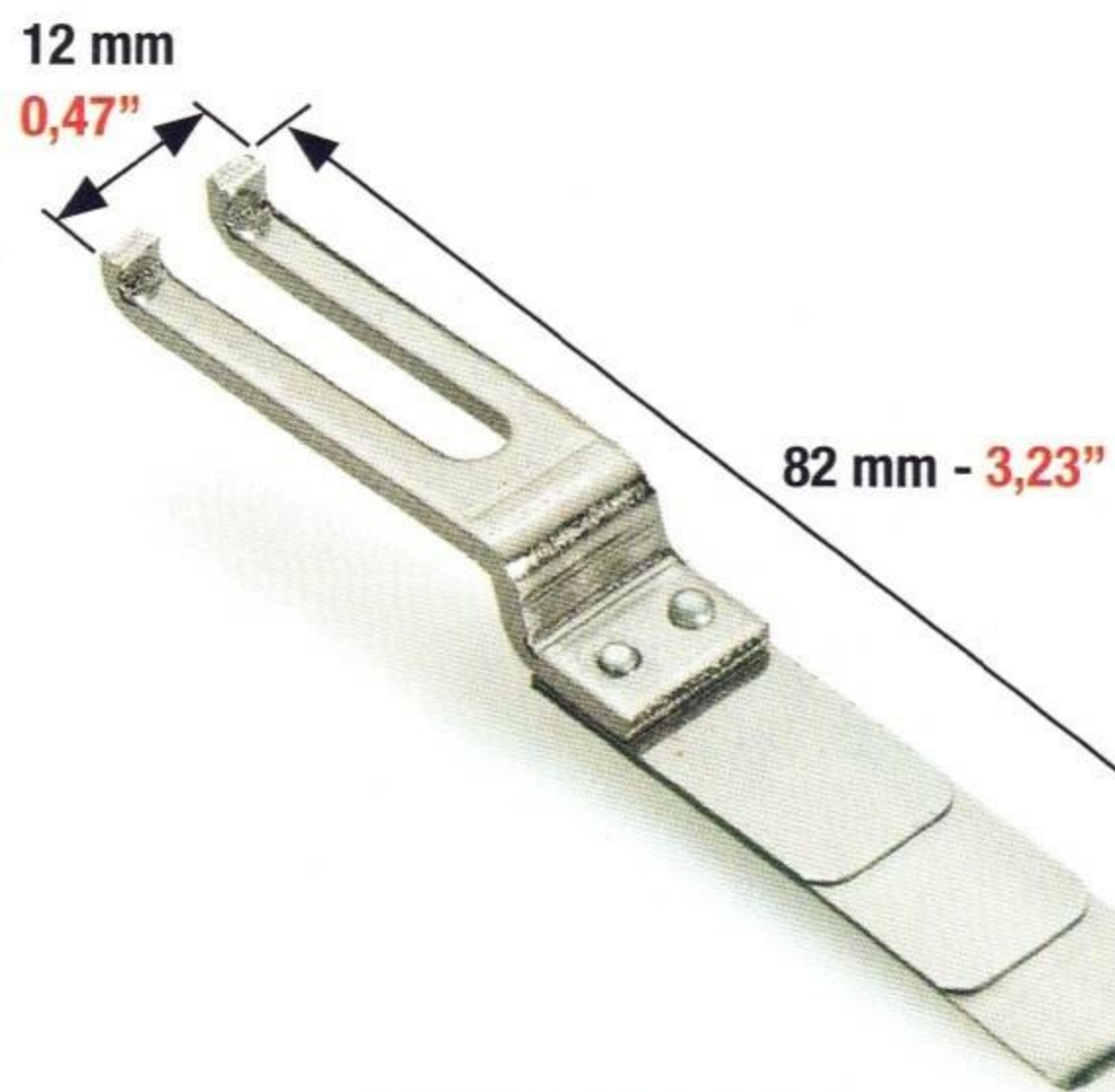


# HEIDELBERG

PRODUCED WITH ORIGINAL SWEDISH STEEL

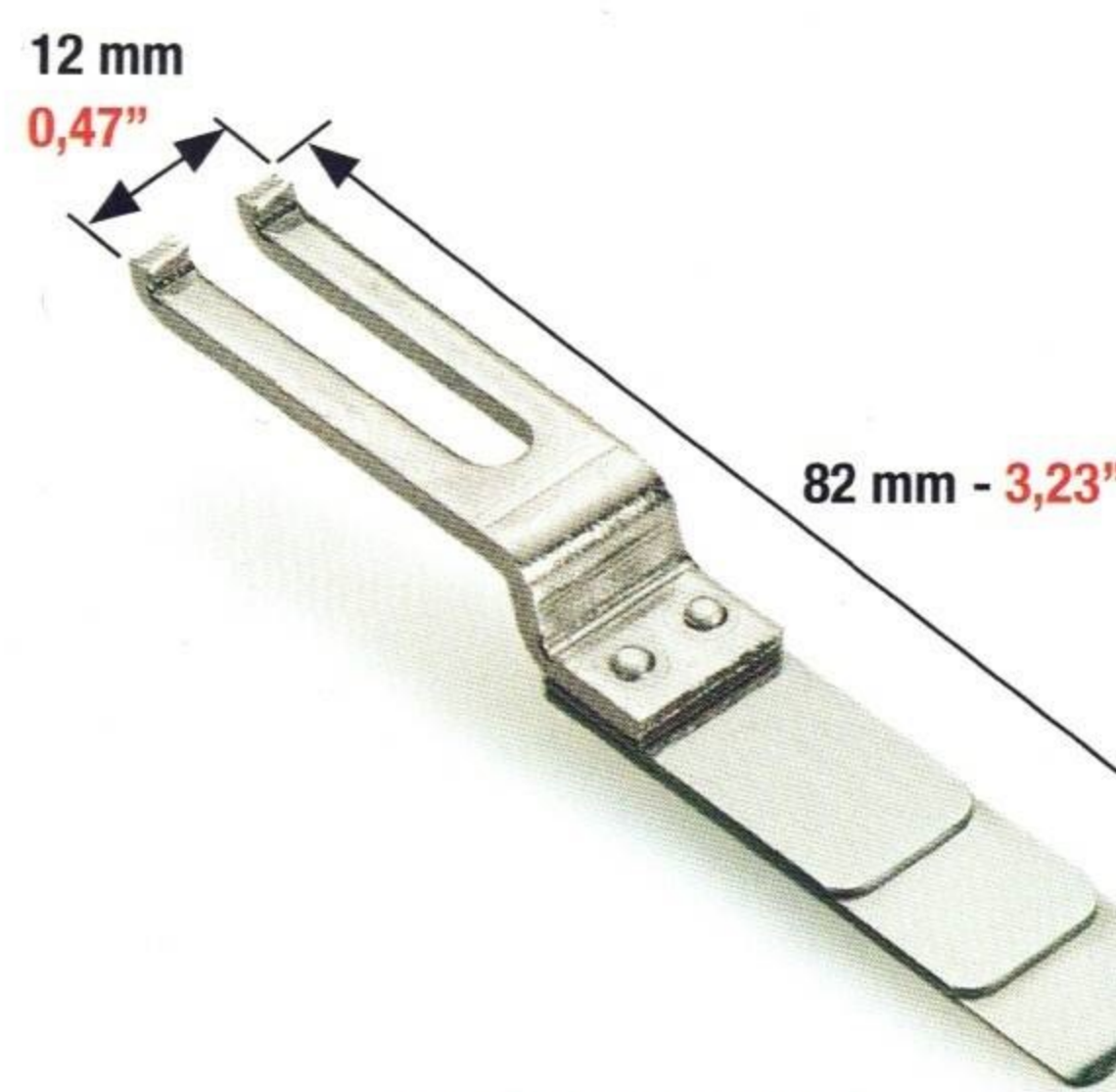


**MORE FLEXIBLE**  
PER CARTA - FOR PAPER - PARA PAPEL

**HEIDELBERG SPEEDMASTER 52/102 CD**  
105 XL/145 XL/162 XL - OEM: F2.028.4775

MINIMUM ORDER 2 PCS	CODICE - CODE - CÓDIGO	SPESSORE THICKNESS - GROSOR	
	<b>4614</b>	0,20 mm	.008"

PRODUCED WITH ORIGINAL SWEDISH STEEL

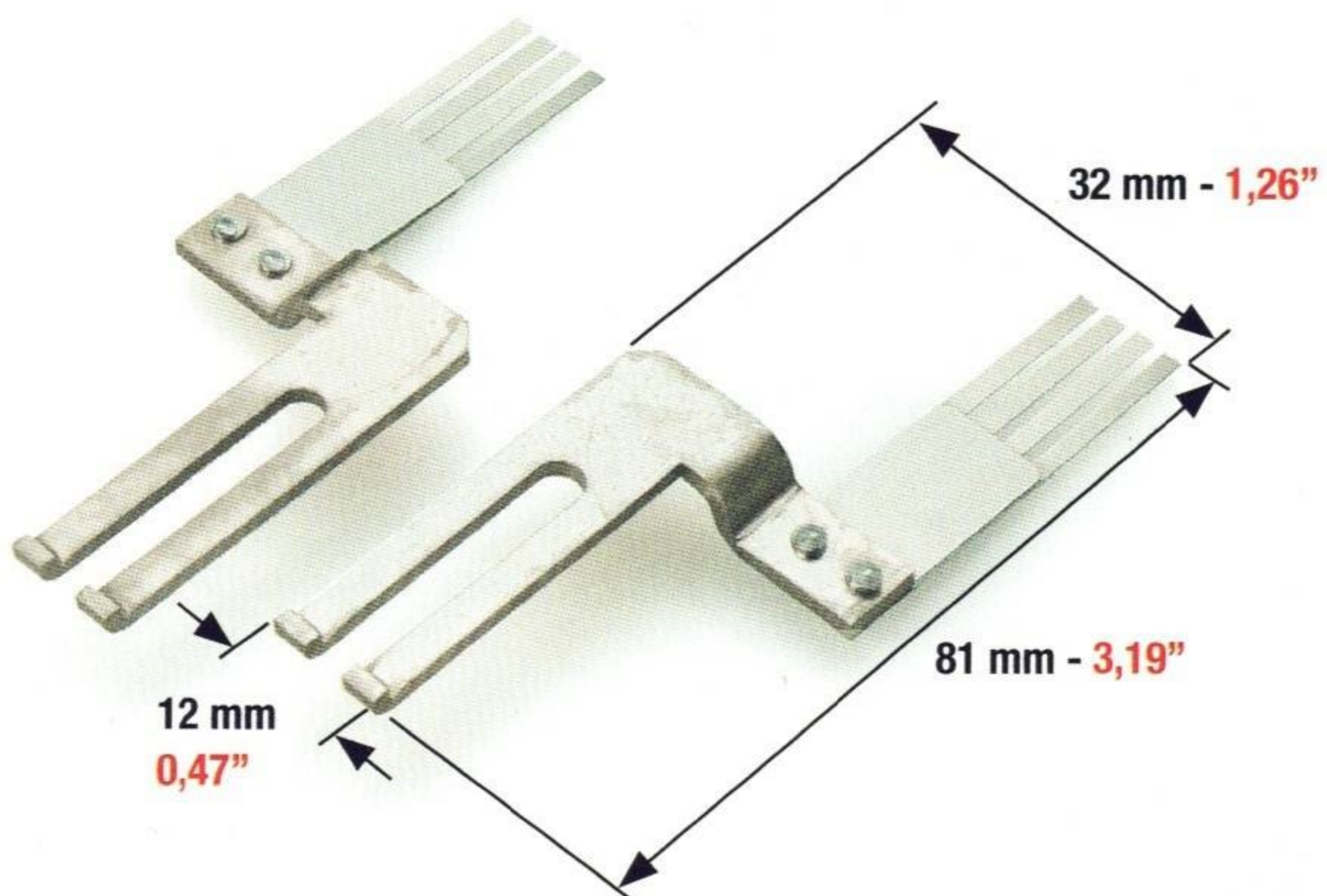


**LESS FLEXIBLE**  
PER CARTONE - FOR CARDBOARD - PARA CARTÓN

**HEIDELBERG SPEEDMASTER 52/102 CD**  
105 XL/145 XL/162 XL - OEM: F2.028.4765

MINIMUM ORDER 2 PCS	CODICE - CODE - CÓDIGO	SPESSORE THICKNESS - GROSOR	
	<b>4616</b>	0,20 mm	.008"

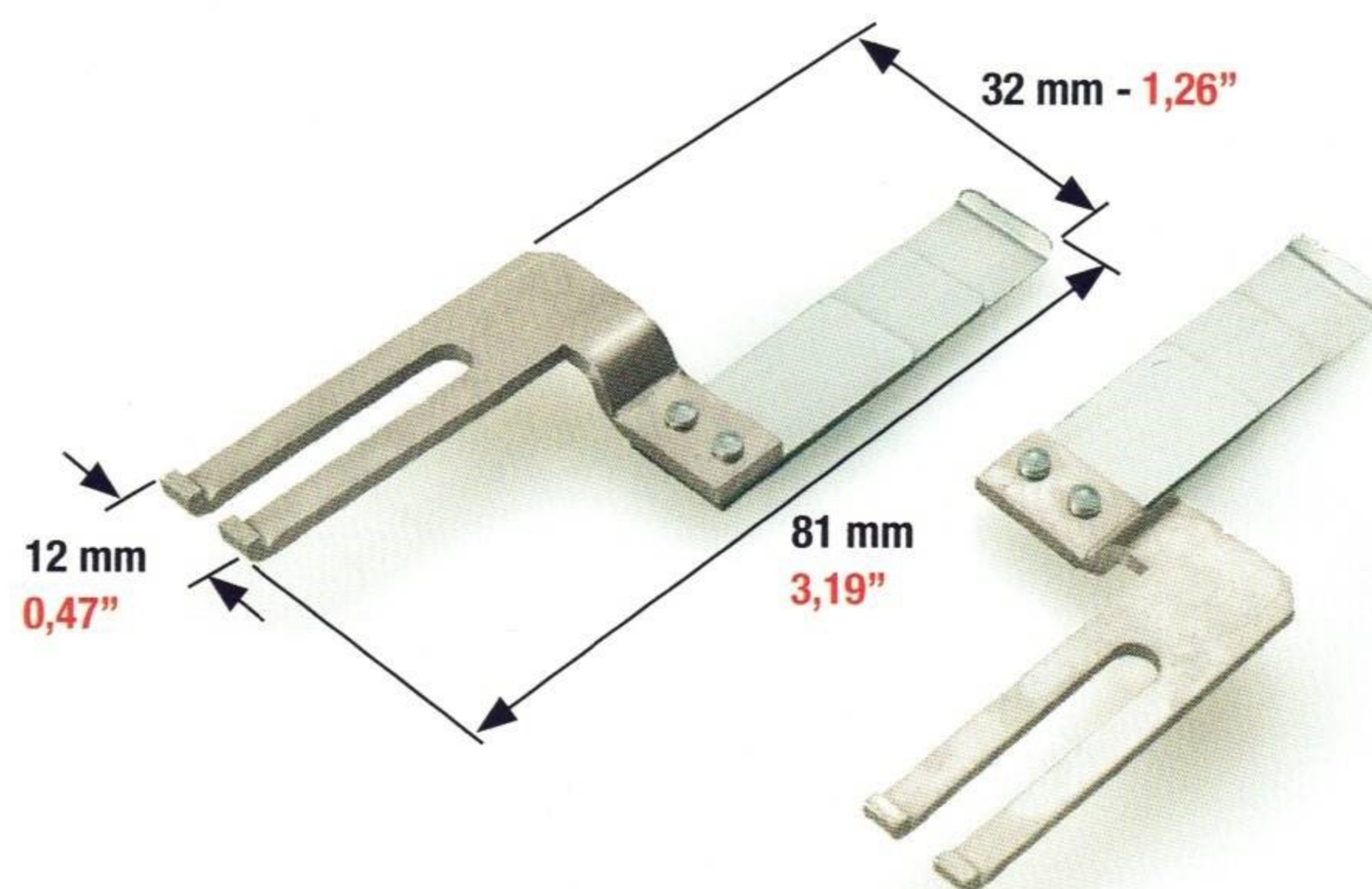
PRODUCED WITH ORIGINAL SWEDISH STEEL



**HEIDELBERG SPEEDMASTER**  
OEM PART: 89.028.164F + 89.028.165F

	CODICE - CODE - CÓDIGO	SPESSORE THICKNESS - GROSOR	
	<b>4601</b>	0,20 mm	.008"

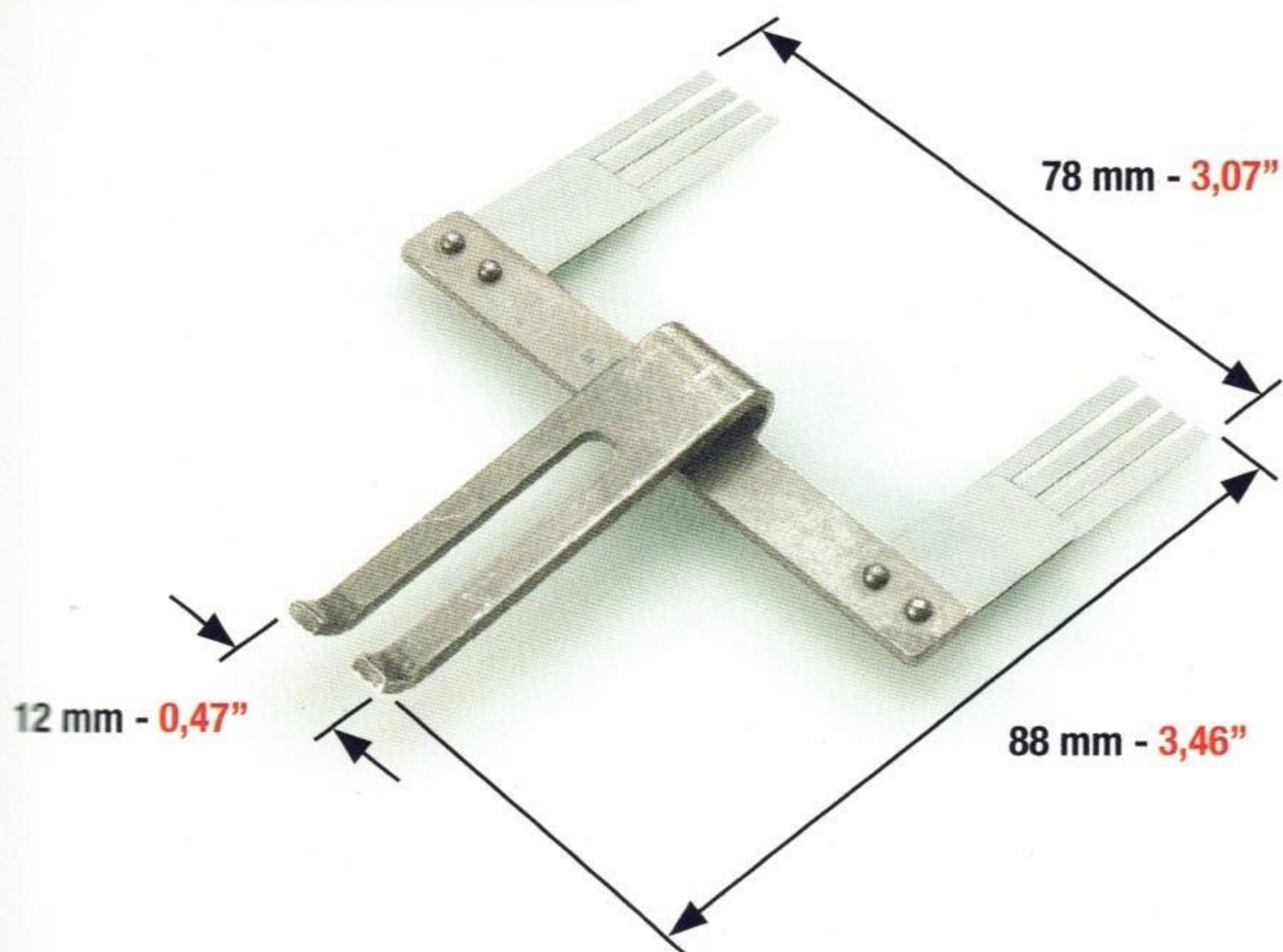
PRODUCED WITH ORIGINAL SWEDISH STEEL



**HEIDELBERG SPEEDMASTER**  
OEM PART: 89.028.167F + 89.028.168F

	CODICE - CODE - CÓDIGO	SPESSORE THICKNESS - GROSOR	
	<b>4603</b>	0,20 mm	.008"

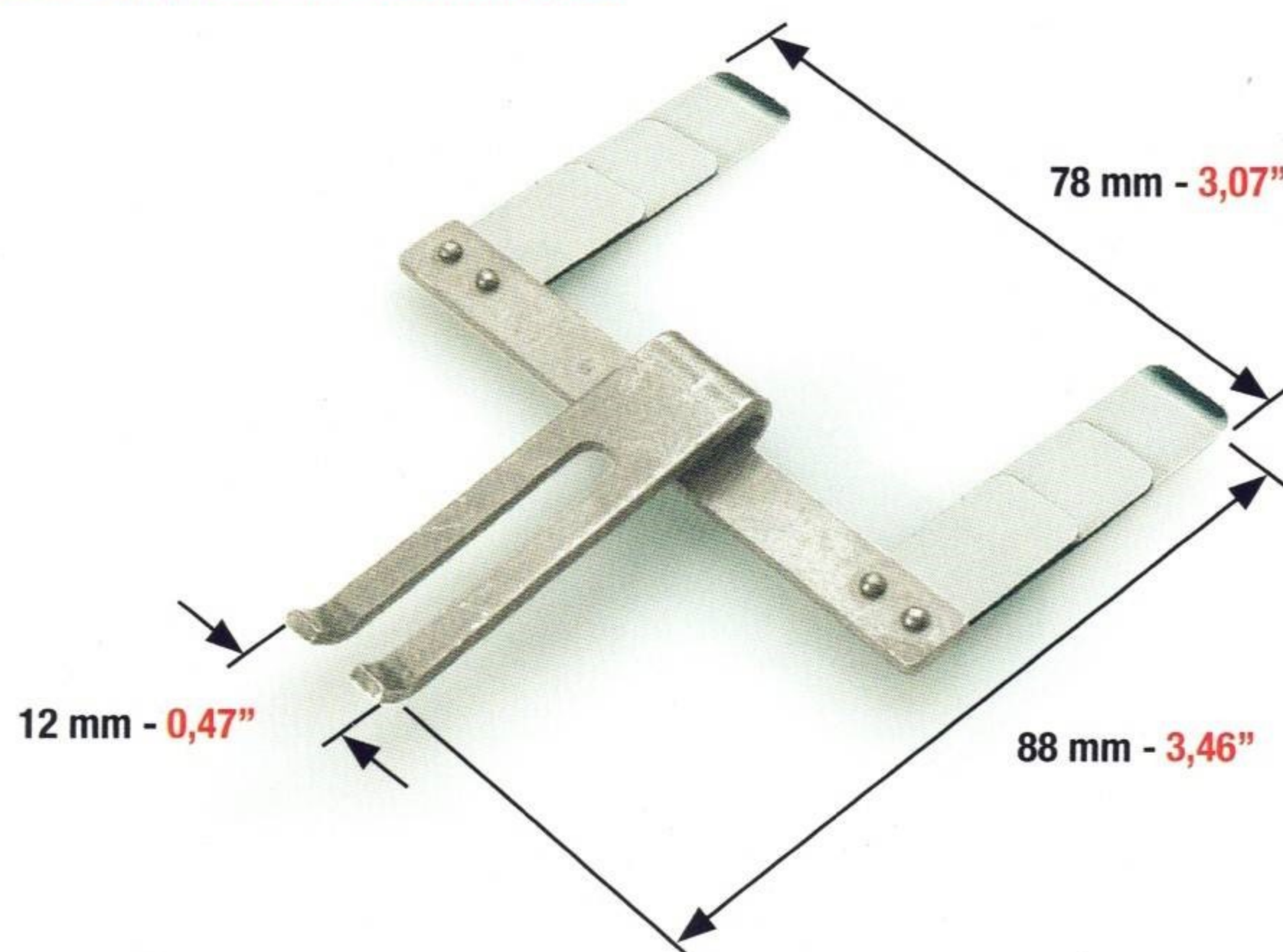
PRODUCED WITH ORIGINAL SWEDISH STEEL



**HEIDELBERG SPEEDMASTER**  
OEM PART: M3.028.8245

	CODICE - CODE - CÓDIGO	SPESSORE THICKNESS - GROSOR	
	<b>4612</b>	0,20 mm	.008"

PRODUCED WITH ORIGINAL SWEDISH STEEL

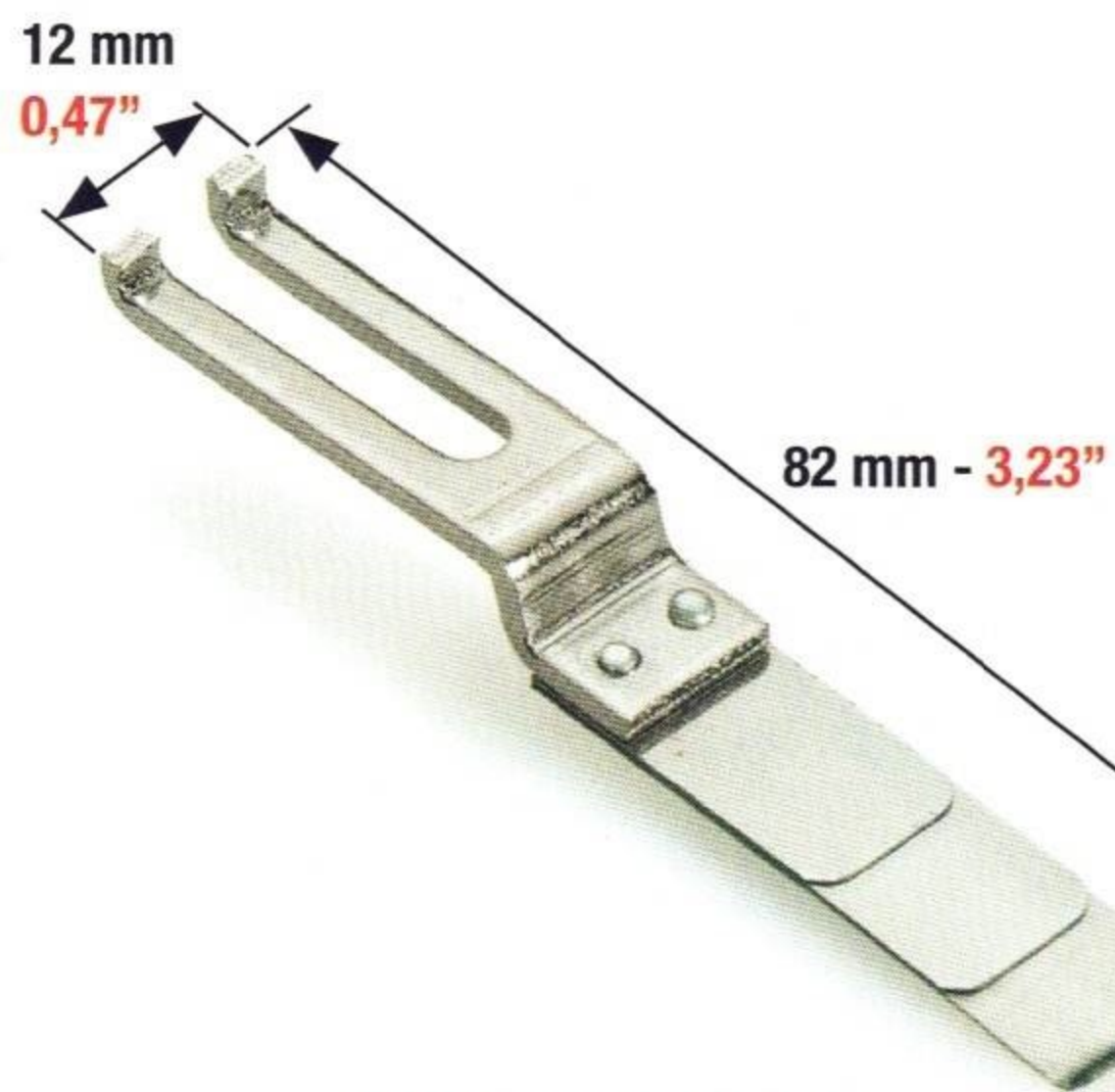


**HEIDELBERG SPEEDMASTER**

	CODICE - CODE - CÓDIGO	SPESSORE THICKNESS - GROSOR	
	<b>4617</b>	0,20 mm	.008"

# HEIDELBERG

PRODUCED WITH ORIGINAL SWEDISH STEEL

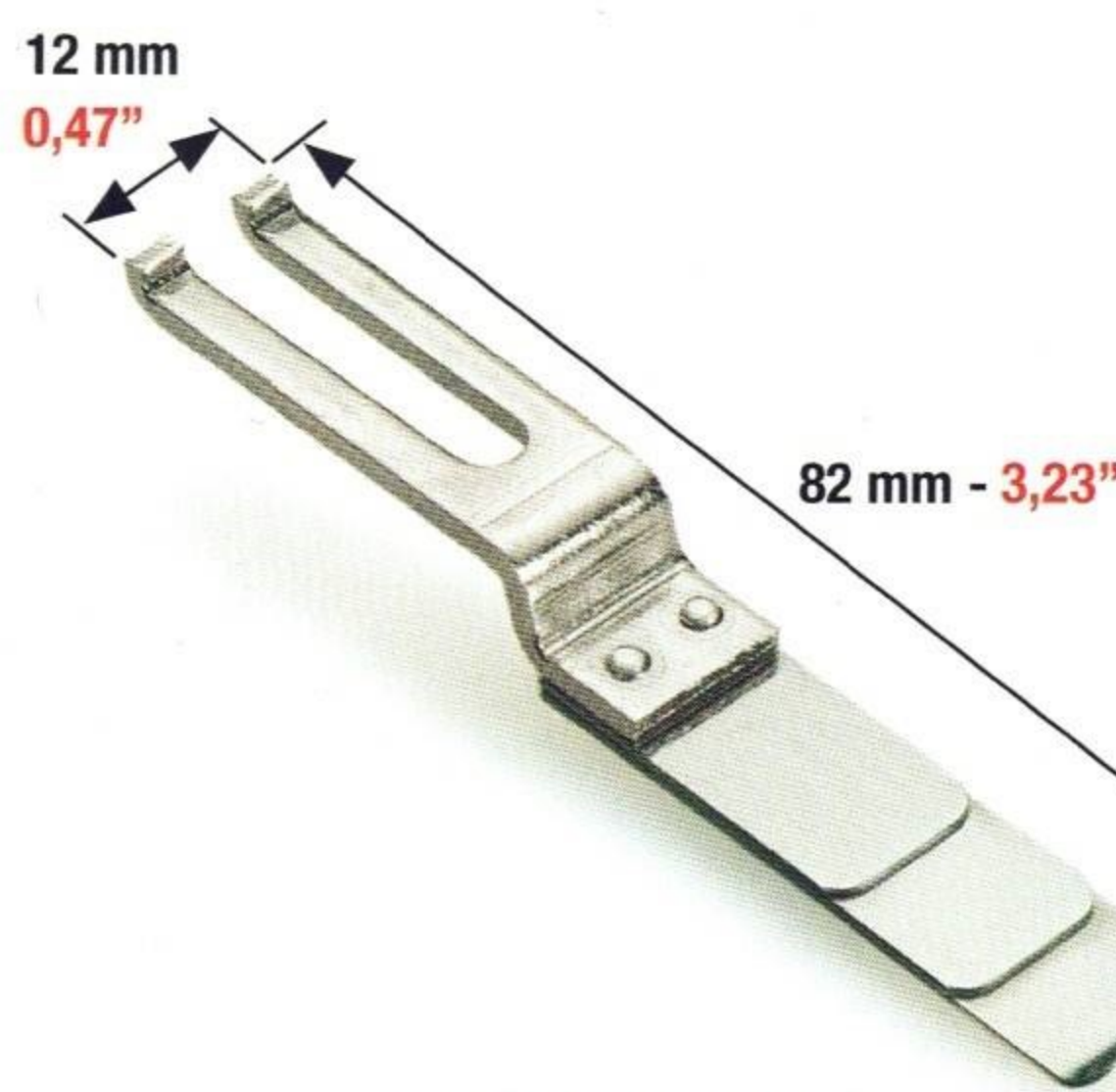


**MORE FLEXIBLE**  
PER CARTA - FOR PAPER - PARA PAPEL

**HEIDELBERG SPEEDMASTER 52/102 CD**  
105 XL/145 XL/162 XL - OEM: F2.028.4775

MINIMUM ORDER 2 PCS	CODICE - CODE - CÓDIGO	SPESSORE THICKNESS - GROSOR	
	<b>4614</b>	0,20 mm	.008"

PRODUCED WITH ORIGINAL SWEDISH STEEL

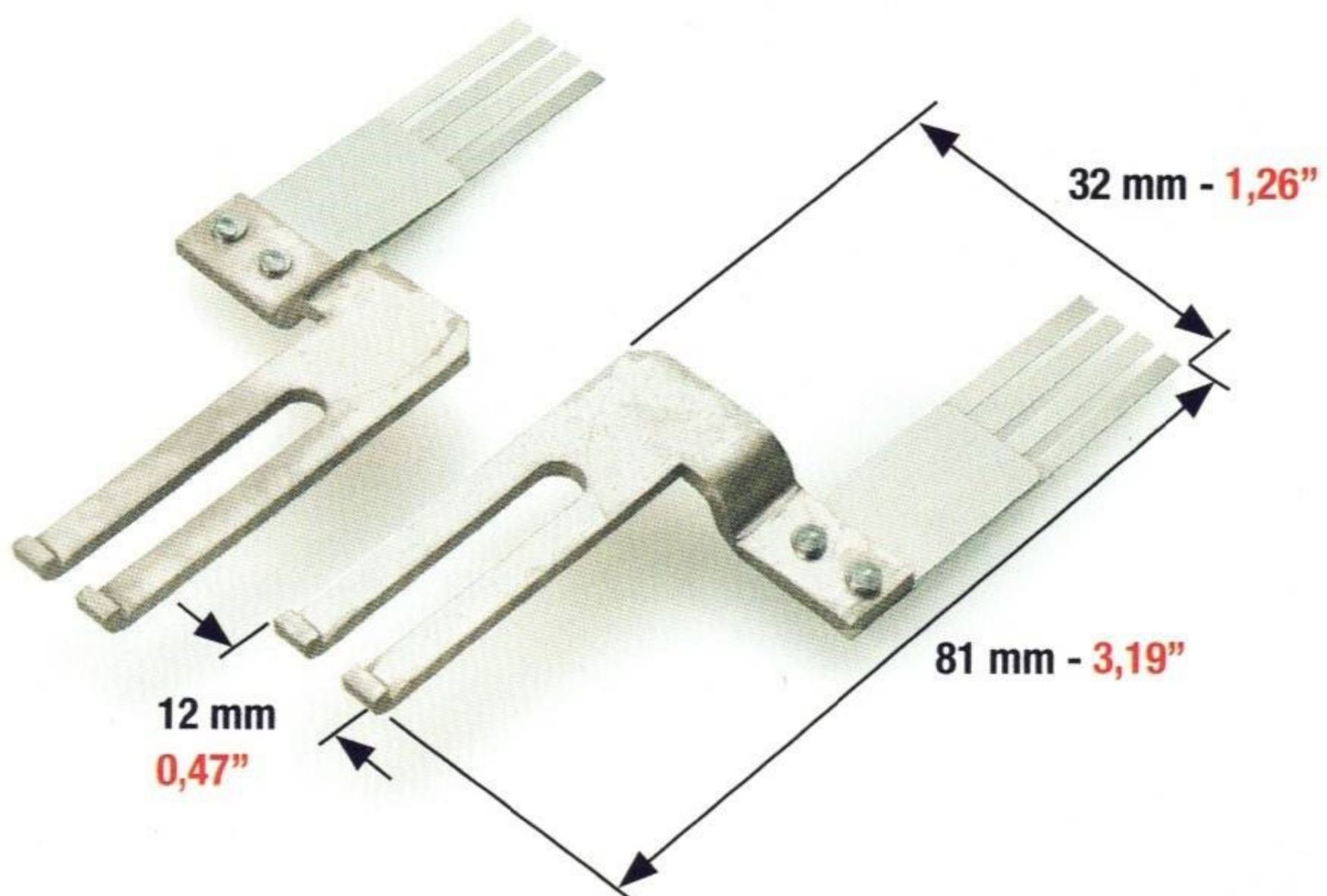


**LESS FLEXIBLE**  
PER CARTONE - FOR CARDBOARD - PARA CARTÓN

**HEIDELBERG SPEEDMASTER 52/102 CD**  
105 XL/145 XL/162 XL - OEM: F2.028.4765

MINIMUM ORDER 2 PCS	CODICE - CODE - CÓDIGO	SPESSORE THICKNESS - GROSOR	
	<b>4616</b>	0,20 mm	.008"

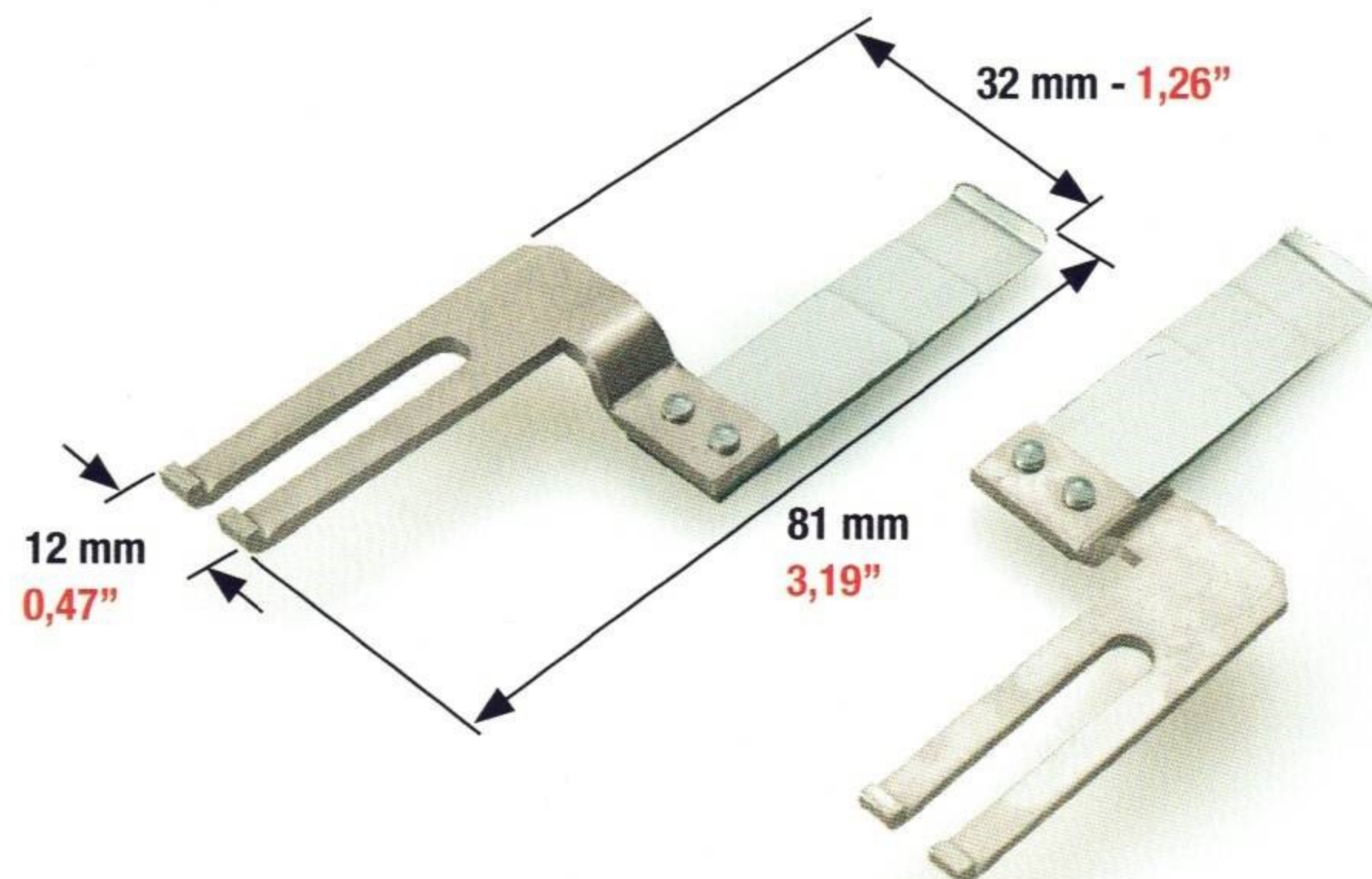
PRODUCED WITH ORIGINAL SWEDISH STEEL



**HEIDELBERG SPEEDMASTER**  
OEM PART: 89.028.164F + 89.028.165F

	CODICE - CODE - CÓDIGO	SPESSORE THICKNESS - GROSOR	
	<b>4601</b>	0,20 mm	.008"

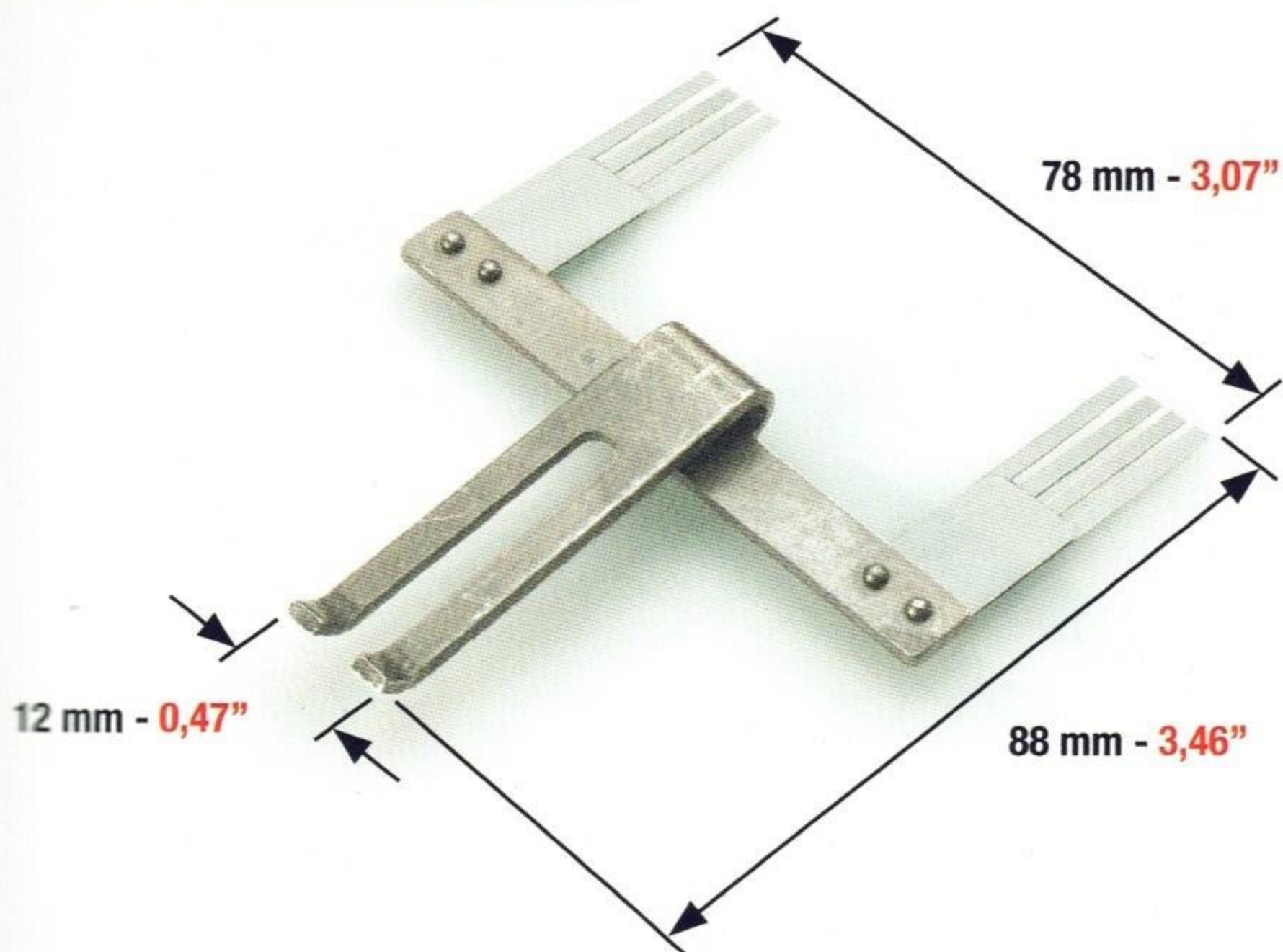
PRODUCED WITH ORIGINAL SWEDISH STEEL



**HEIDELBERG SPEEDMASTER**  
OEM PART: 89.028.167F + 89.028.168F

	CODICE - CODE - CÓDIGO	SPESSORE THICKNESS - GROSOR	
	<b>4603</b>	0,20 mm	.008"

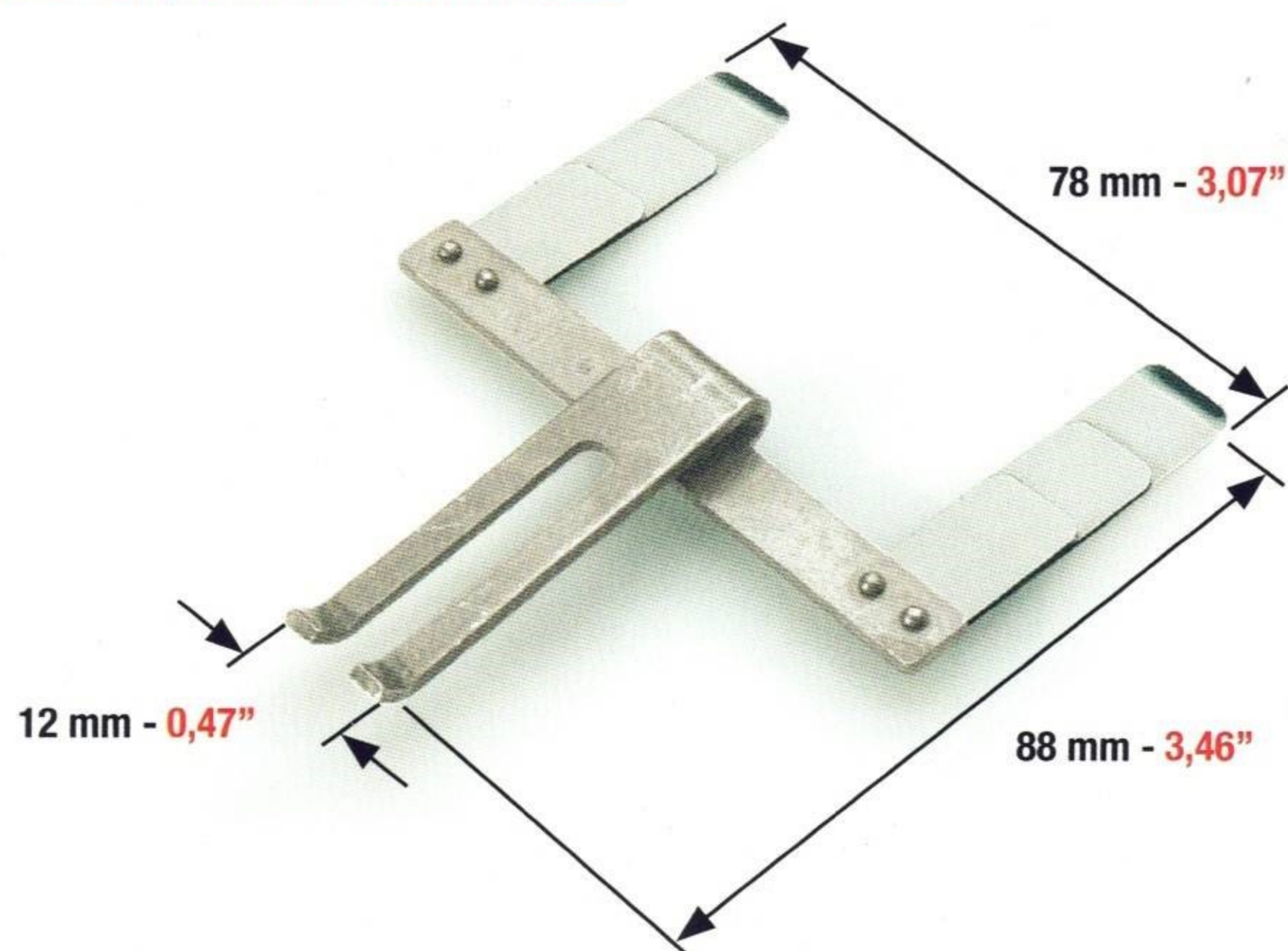
PRODUCED WITH ORIGINAL SWEDISH STEEL



**HEIDELBERG SPEEDMASTER**  
OEM PART: M3.028.8245

	CODICE - CODE - CÓDIGO	SPESSORE THICKNESS - GROSOR	
	<b>4612</b>	0,20 mm	.008"

PRODUCED WITH ORIGINAL SWEDISH STEEL

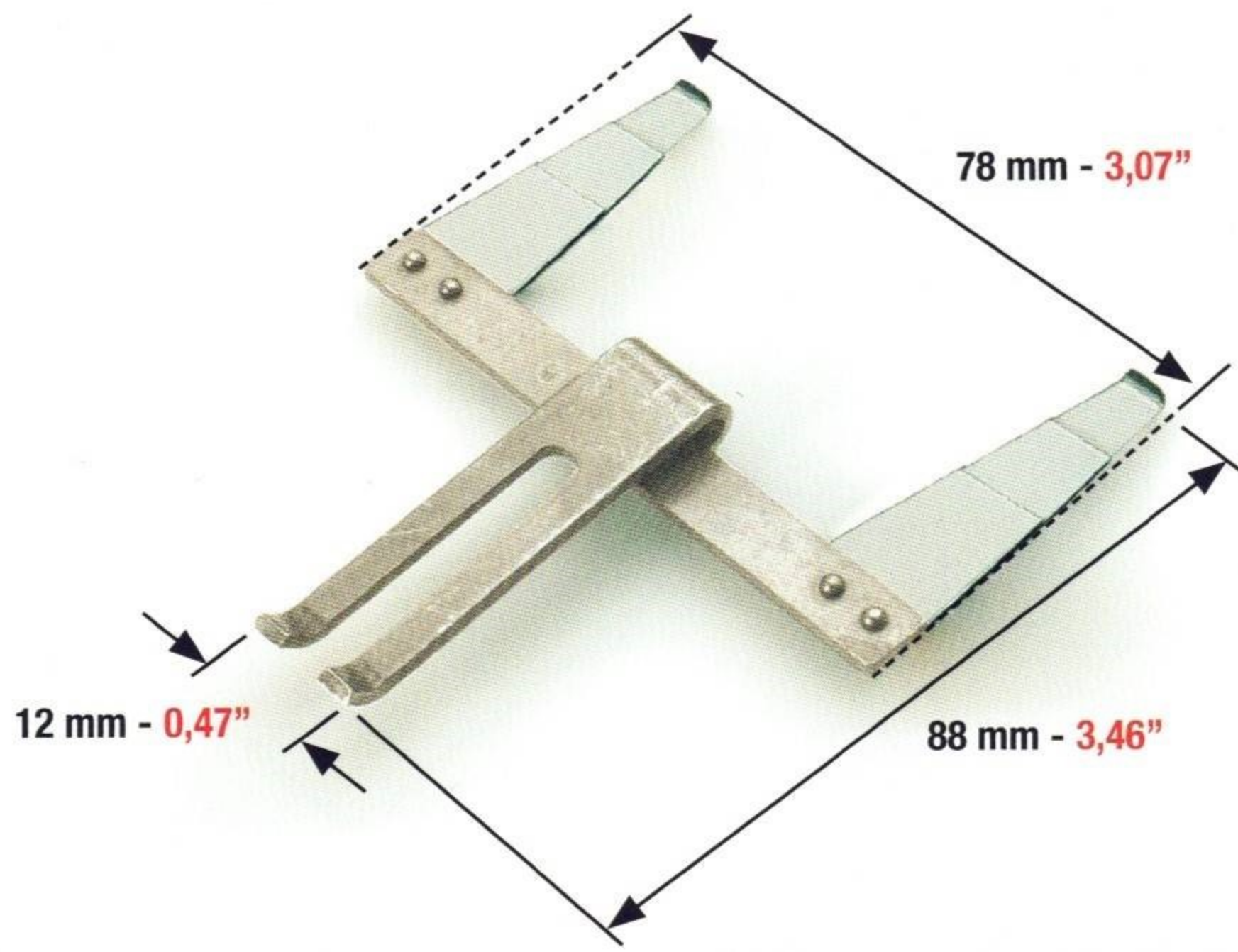


**HEIDELBERG SPEEDMASTER**

	CODICE - CODE - CÓDIGO	SPESSORE THICKNESS - GROSOR	
	<b>4617</b>	0,20 mm	.008"

# HEIDELBERG

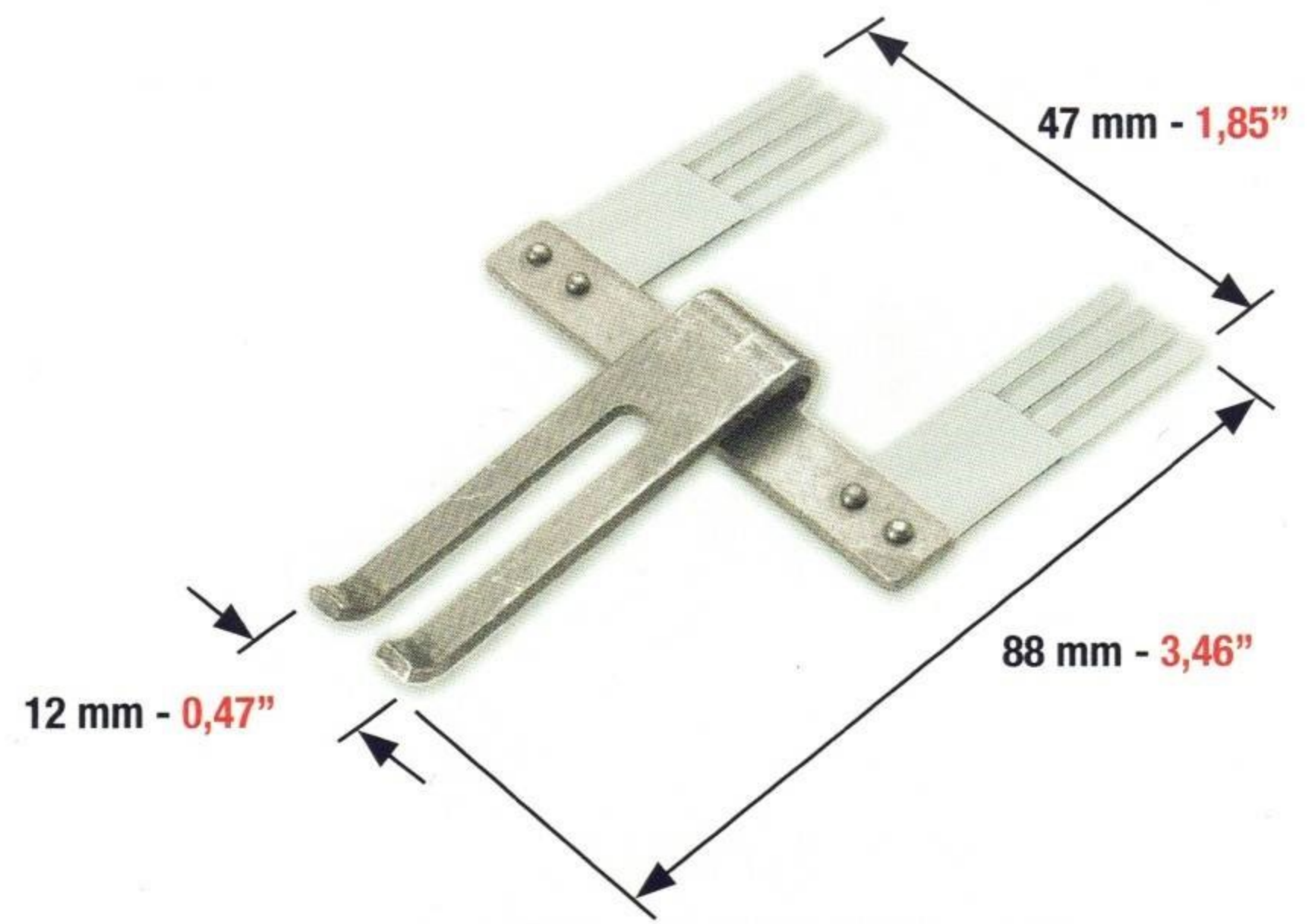
PRODUCED WITH ORIGINAL SWEDISH STEEL



**HEIDELBERG SPEEDMASTER**  
OEM PART: M3.028.8255/01

	CODICE - CODE - CÓDIGO	SPESSORE THICKNESS - GROSOR	
		<b>4617-B</b>	0,20 mm

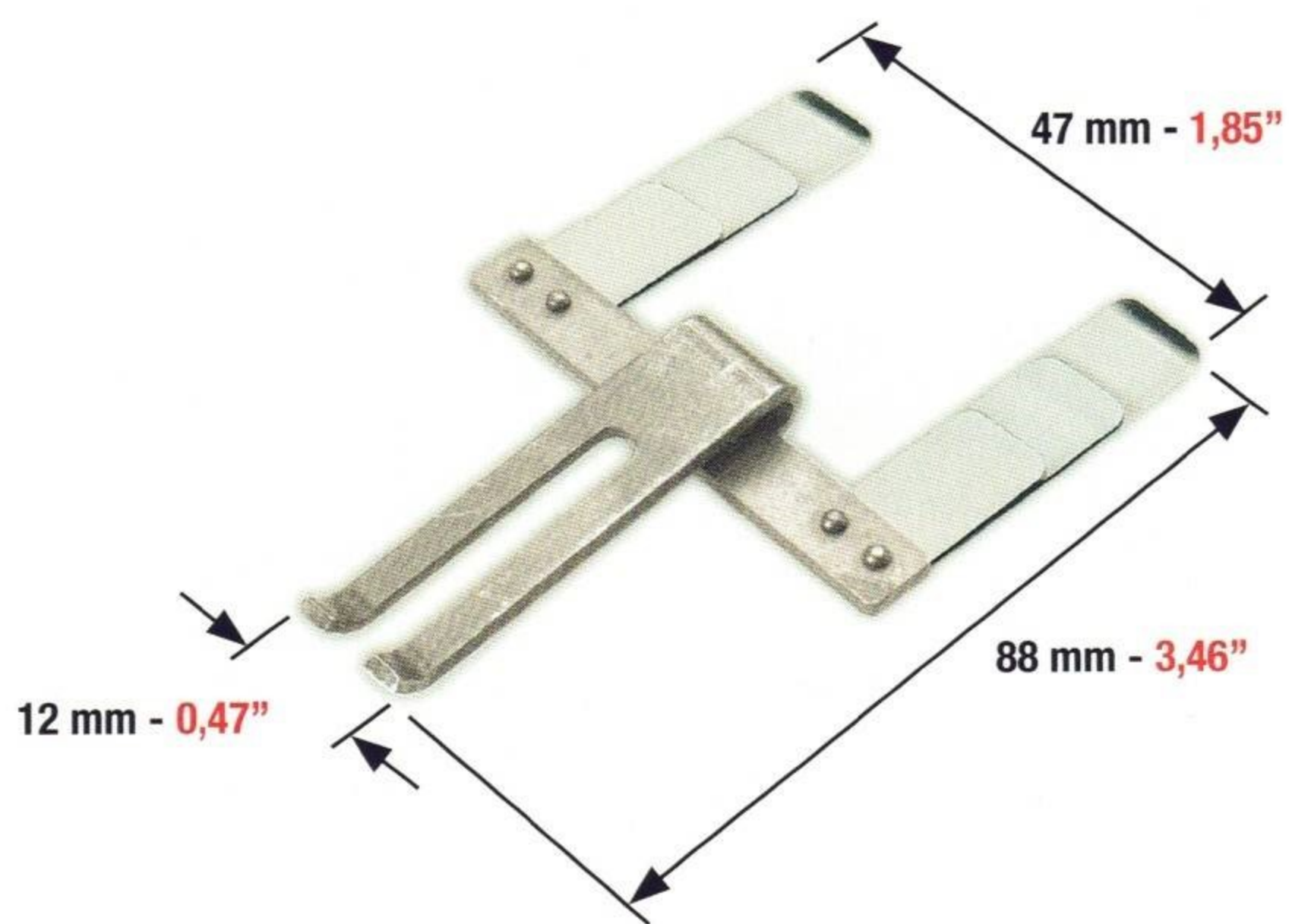
PRODUCED WITH ORIGINAL SWEDISH STEEL



**HEIDELBERG SPEEDMASTER**

	CODICE - CODE - CÓDIGO	SPESSORE THICKNESS - GROSOR	
		<b>4612-A</b>	0,20 mm

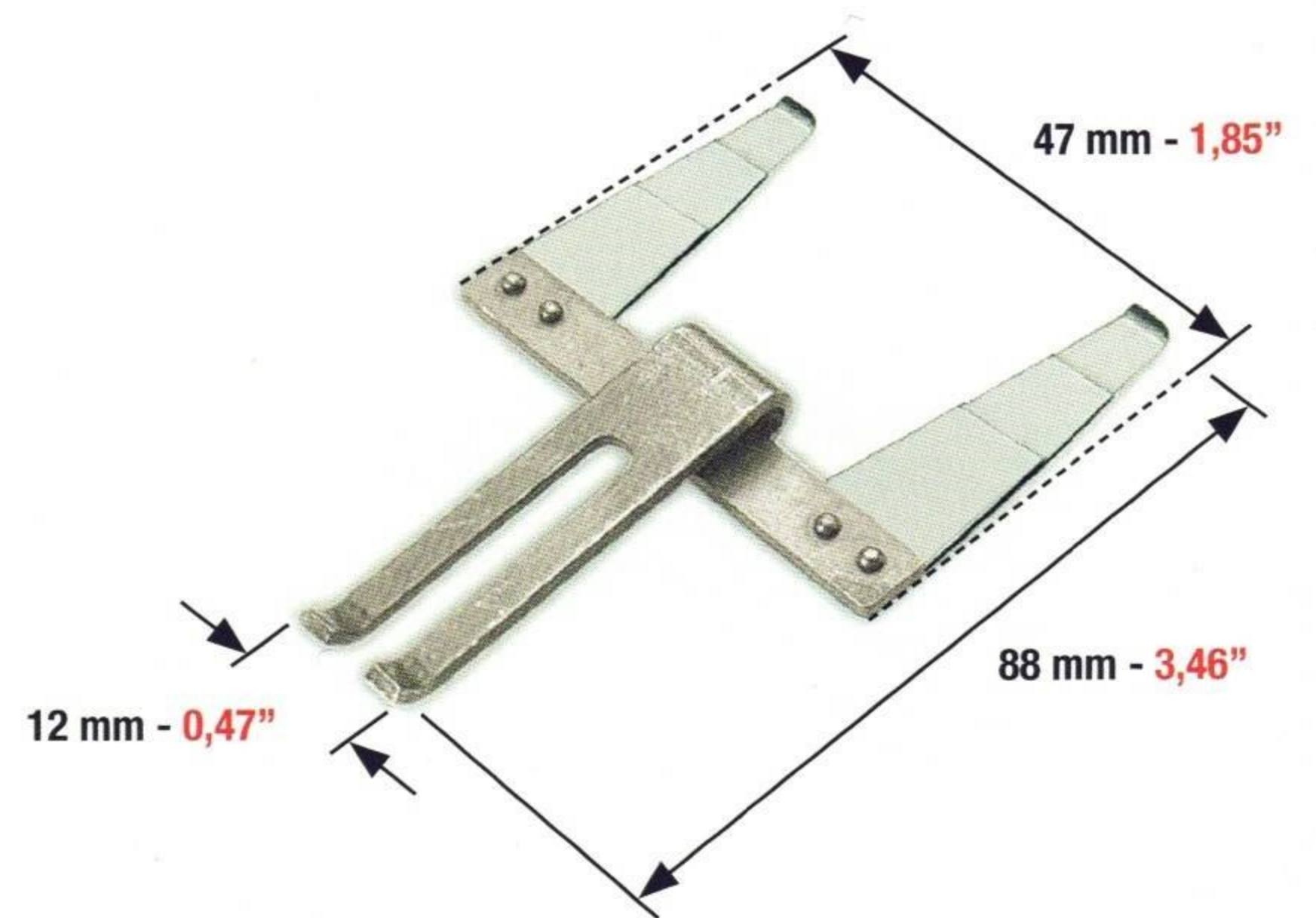
PRODUCED WITH ORIGINAL SWEDISH STEEL



**HEIDELBERG SPEEDMASTER**

	CODICE - CODE - CÓDIGO	SPESSORE THICKNESS - GROSOR	
		<b>4617-A</b>	0,20 mm

PRODUCED WITH ORIGINAL SWEDISH STEEL



**HEIDELBERG SPEEDMASTER**

	CODICE - CODE - CÓDIGO	SPESSORE THICKNESS - GROSOR	
		<b>4617-C</b>	0,20 mm



**HEIDELBERG GTO 46/52/K SERIES**  
OEM PART: 36.017.084

MINIMUM ORDER 20 PCS	CODICE - CODE - CÓDIGO		
		<b>4875</b>	



**HEIDELBERG GTO 46**  
OEM PART: 42.017.083

MINIMUM ORDER 5 PCS	CODICE - CODE - CÓDIGO		
		<b>4850</b>	

# HEIDELBERG

**Standard**



**HEIDELBERG GTO 46**  
**OEM PART: 42.017.083F**

MINIMUM ORDER 5 PCS

CODICE - CODE - CÓDIGO

**4855** (4850 + 4875)

**HEIDELBERG GTO 52**

6,5 mm  
0,26"

MINIMUM ORDER 5 PCS

CODICE - CODE - CÓDIGO

**4860**

**Standard**

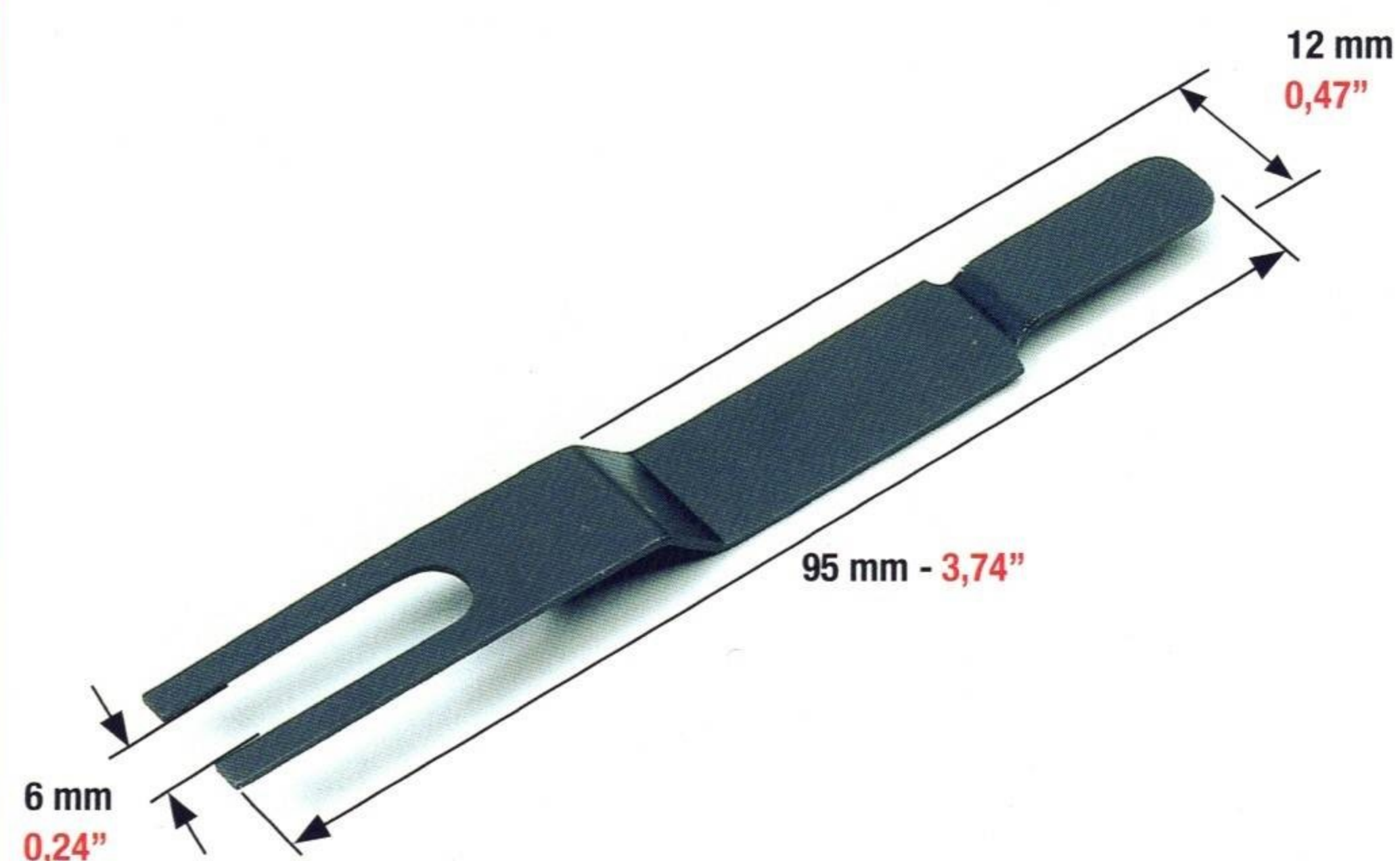


**HEIDELBERG GTO 52**  
**OEM PART: 36.017.084**

MINIMUM ORDER 5 PCS

CODICE - CODE - CÓDIGO

**4865** (4860 + 4875)



**HEIDELBERG GTO/K SERIES/KS/KSB/KSBA/KSD**

MINIMUM ORDER 5 PCS

CODICE - CODE - CÓDIGO

**4845**

PRODUCED WITH ORIGINAL SWEDISH STEEL



**HEIDELBERG GTO 52 (45°)/MO/M SERIES**  
**OEM PART: 43.017.079**

MINIMUM ORDER 5 PCS

CODICE - CODE - CÓDIGO

**4870**

PRODUCED WITH ORIGINAL SWEDISH STEEL



**HEIDELBERG GTO 52 (90°)/MO/M SERIES**

MINIMUM ORDER 5 PCS

CODICE - CODE - CÓDIGO

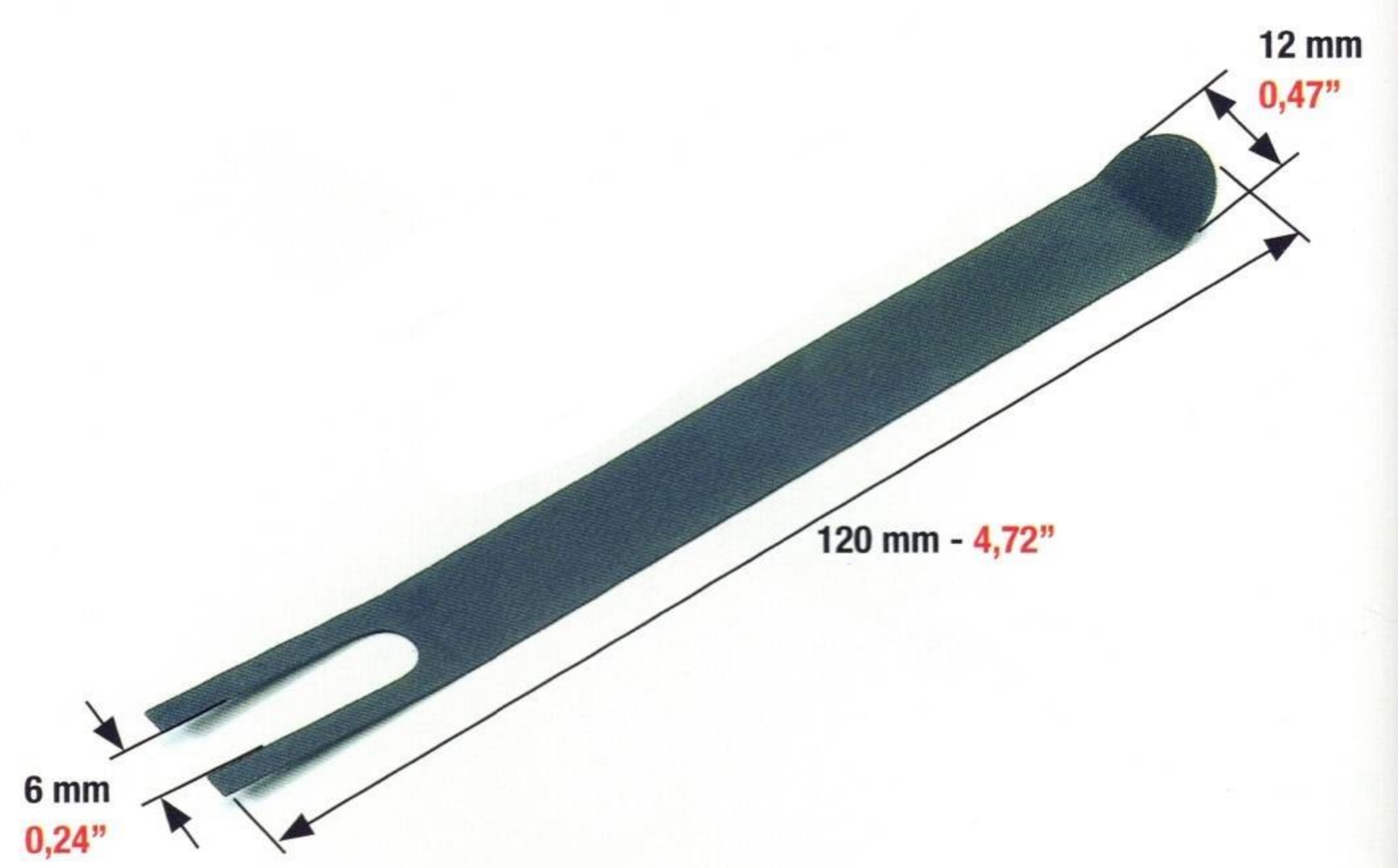
**4871**

# HEIDELBERG



## HEIDELBERG OHZ/SBG/SBD

MINIMUM ORDER 5 PCS	CODICE - CODE - CÓDIGO	
	4872 (45°)	
	4872-A (90°)	



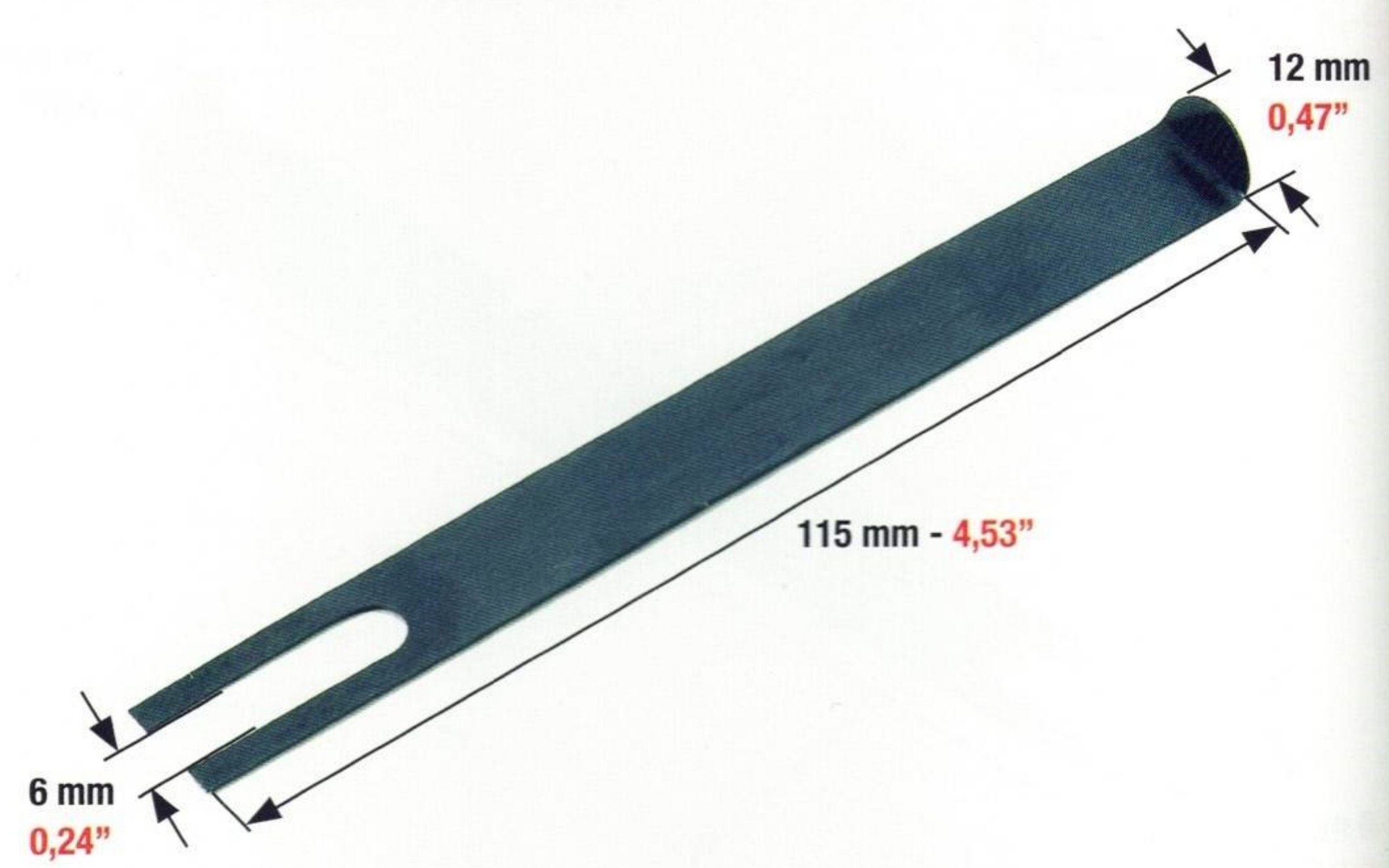
## HEIDELBERG KORD (45°)/KORS K SERIES/KS/KSB/KSBA/KSD

MINIMUM ORDER 5 PCS	CODICE - CODE - CÓDIGO	
	4830	



## HEIDELBERG KORD (45°)

MINIMUM ORDER 5 PCS	CODICE - CODE - CÓDIGO	
	4835	



## HEIDELBERG KORD (90°)/KORS K SERIES/KS/KSB/KSBA/KSD OEM PART: 43.017.079-KS1783/84

MINIMUM ORDER 5 PCS	CODICE - CODE - CÓDIGO	
	4840	